



- ◆ Manual loading control
- ◆ Economic type
- ◆ With manufacturer inspection certificate



Small flat anvil



Large flat anvil



V-type anvil



SPECIFICATION

Load force	10kgf (98N)
Total load force	60kgf (588N), 100kgf (980N), 150kgf (1471N)
Stage elevation	manual
Loading control	manual
Graduation	0.5HR
Max. test height	155mm
Max. throat	130mm
Dimension	460×180×620mm
Weight	65kg

INCLUDED ACCESSORIES

Main unit	1pc
Ø1.5875mm ball carbide indenter	1pc
Diamond indenter	1pc
Flat anvil	2pcs
V-type anvil	1pc
Rockwell test block	5pcs
Screw driver	2pcs



- ◆ Manual loading control
- ◆ With manufacturer inspection certificate



Small flat anvil



Large flat anvil



V-type anvil



HARDNESS

SPECIFICATION

Load force	10kgf (98N)
Total load force	60kgf (588N), 100kgf (980N), 150kgf (1471N)
Stage elevation	manual
Loading control	manual
Graduation	1HR
Max. test height	170mm
Max. throat	160mm
Dimension	487×265×726mm
Weight	73kg

INCLUDED ACCESSORIES

Main unit	1pc
Ø1.5875mm ball carbide indenter	1pc
Diamond indenter	1pc
Flat anvil	2pcs
V-type anvil	1pc
Rockwell test block	3pcs
Dustproof cover	1pc



- ◆ Manual loading control
- ◆ The hardness scale can be converted to HV and HB
- ◆ With USB interface, for transferring data
- ◆ With manufacturer inspection certificate



VIDEO



Small flat anvil



Large flat anvil



V-type anvil



PR100 printer (optional)

SPECIFICATION

Load force	10kgf (98N)
Total load force	60kgf (588N), 100kgf (980N), 150kgf (1471N)
Stage elevation	manual
Loading control	manual
Resolution	0.1HR
Max. test height	170mm
Max. throat	160mm
Dimension	487×265×726mm
Weight	73kg

INCLUDED ACCESSORIES

Main unit	1pc
Ø1.5875mm ball carbide indenter	1pc
Diamond indenter	1pc
Flat anvil	2pcs
V-type anvil	1pc
Rockwell test block	3pcs
Dustproof cover	1pc

OPTIONAL ACCESSORIES

Wireless printer	PR100
------------------	-------

HR150C

DIGITAL ROCKWELL HARDNESS TESTER



- ◆ Motorized loading control
- ◆ The hardness scale can be converted to HV and HB
- ◆ With USB interface, for transferring data
- ◆ With manufacturer inspection certificate



VIDEO



Small flat anvil



Large flat anvil



V-type anvil



PR100 printer (optional)

HARDNESS

SPECIFICATION

Load force	10kgf (98N)
Total load force	60kgf (588N), 100kgf (980N), 150kgf (1471N)
Stage elevation	manual
Loading control	auto
Loading time	1-99s
Resolution	0.1HR
Max. test height	170mm
Max. throat	160mm
Dimension	487×265×726mm
Weight	73kg

INCLUDED ACCESSORIES

Main unit	1pc
Ø1.5875mm ball carbide indenter	1pc
Diamond indenter	1pc
Flat anvil	2pcs
V-type anvil	1pc
Rockwell test block	3pcs
Dustproof cover	1pc

OPTIONAL ACCESSORIES

Wireless printer	PR100
------------------	-------



- ◆ Motorized loading control
- ◆ Economic type
- ◆ With manufacturer inspection certificate



Small flat anvil



Large flat anvil



V-type anvil



SPECIFICATION

Load force	10kgf (98N)
Total load force	60kgf (588N), 100kgf (980N), 150kgf (1471N)
Stage elevation	manual
Loading control	auto
Loading time	1-99s
Resolution	0.5HR
Max. test height	200mm
Max. throat	130mm
Dimension	470×230×680mm
Weight	75kg

INCLUDED ACCESSORIES

Main unit	1pc
Ø1.5875mm ball carbide indenter	1pc
Diamond indenter	1pc
Flat anvil	2pcs
V-type anvil	1pc
Rockwell test block	5pcs

HR150CNC

AUTOMATIC ROCKWELL/SUPERFICIAL ROCKWELL HARDNESS TESTER



- ◆ The stage is fixed, and indenter moves up and down
- ◆ Motorized loading control
- ◆ High-precision closed loop force loading system
- ◆ The hardness scale can be converted to HV and HB
- ◆ With touch screen, easy to operate
- ◆ With wireless printer
- ◆ With manufacturer inspection certificate



SPECIFICATION

Type	Rockwell	Superficial Rockwell
Load force	10kgf (98N)	3kgf (29.4N)
Total load force	60kgf (588N), 100kgf (980N), 150kgf (1471N)	15kgf (147.1N), 30kgf (294.2N), 45kgf (441.3N)
Hardness scale	HRA, HRB, HRC, HRD, HRF, HRG	HR15N, HR30N, HR45N, HR15T, HR30T, HR45T,
Indenter elevation	auto	
Loading control	auto	
Loading time	1-60s	
Resolution	0.1HR	
Max. test height	280mm	
Max. throat	170mm	
Dimension	400×855×620mm	
Weight	80kg	

INCLUDED ACCESSORIES

Main unit	1pc
Ø1.5875mm ball carbide indenter	1pc
Diamond indenter	1pc
Small flat anvil	1pc
V-type anvil	1pc
HRA test block	1pc
HRB test block	1pc

HRC test block	3pcs
HR15N test block	1pc
HR30N test block	2pcs
HR45N test block	1pc
Ø1.5875mm ball	5pcs
Wireless printer	1pc



- ◆ Motorized loading control
- ◆ High-precision closed loop force loading system
- ◆ The hardness scale can be converted to HV and HB
- ◆ With touch screen, easy to operate
- ◆ With printer
- ◆ With manufacturer inspection certificate



SPECIFICATION

Type	Rockwell	Superficial Rockwell
Load force	10kgf (98N)	3kgf (29.4N)
Total load force	60kgf (588N), 100kgf (980N), 150kgf (1471N)	15kgf (147.1N), 30kgf (294.2N), 45kgf (441.3N)
Hardness scale	HRA, HRB, HRC, HRD, HRF, HRG	HR15N, HR30N, HR45N, HR15T, HR30T, HR45T,
Stage elevation	manual	
Loading control	auto	
Loading time	1-60s	
Resolution	0.1HR	
Max. test height	200mm	
Max. throat	160mm	
Dimension	510×290×730mm	
Weight	95kg	

INCLUDED ACCESSORIES

Main unit	1pc
Ø1.5875mm ball carbide indenter	1pc
Diamond indenter	1pc
Small flat anvil	1pc
Large flat anvil	1pc
V-type anvil	1pc

HRA test block	1pc
HRB test block	1pc
HRC test block	3pcs
HR15N test block	1pc
HR30N test block	2pcs
HR45N test block	1pc

HB3000

DIGITAL BRINELL HARDNESS TESTER



- ◆ Electronic close-loop load control system
- ◆ Can converted to HV, HK, HRA, HRB, HRC, HRD, HRE, HRF, HRG, HRK, HR15N, HR30N, HR45N, HR15T, HR30T, HR45T, HS
- ◆ Touch screen
- ◆ With manufacturer inspection certificate



HARDNESS



Small flat anvil



Large flat anvil



V-type anvil



SPECIFICATION

Measuring range	8-650HBW
Loading force	62.5, 100, 125, 187.5, 250, 500, 750, 1000, 1500, 3000kgf
Measuring result	read from LCD
Stage elevation	manual
Load control	automatic
Load dwell time	5-60 seconds
Max. test height	225mm
Max. throat	135mm
Dimension	545×235×79mm
Weight	130kg

INCLUDED ACCESSORIES

Main unit	1pc
20X measuring microscope	1pc
Ø10mm carbide ball indenter	1pc
Ø5mm carbide ball indenter	1pc
Ø2.5mm carbide ball indenter	1pc
Small flat anvil	1pc

Large flat anvil	1pc
V-type anvil	1pc
Hardness test block 150-250HBW10/3000	1pc
Hardness test block 150-250HBW5/700	1pc
Anti-dust cover	1pc



- ◆ For measuring the hardness of the thin, small workpiece or coating
- ◆ Automatic turret
- ◆ The hardness scale can be changed to Rockwell and Brinell scales
- ◆ Touch screen
- ◆ With manufacturer inspection certificate



Measuring system (optional)



SPECIFICATION

Measuring range	8-2900HV
Test load	0.01, 0.025, 0.05, 0.1, 0.2, 0.3, 0.5, 1kgf
Unit	HV0.01, HV0.025, HV0.05, HV0.1, HV0.2, HV0.3, HV0.5, HV1
Stage elevation	manual
Loading control	automatic (loading/dwell/unloading)
Loading time	1~99s
Objective	10X (observation), 40X (measurement)
Eyepiece	10X
Total magnification	100X (observation), 400X (measurement)
Max. test height	100mm
Max. throat	130mm
X-Y stage	size: 100×100mm
	travel range: 25×25mm
	graduation: 0.01mm
Dimension	540×260×650mm
Weight	50kg

INCLUDED ACCESSORIES

Main unit	1pc
10X eyepiece	1pc
X-Y stage	1pc
Test block	1pc
Touch screen pen	1pc
Level	1pc
Dustproof cover	1pc
Slice holder	1pc
Cylinder holder	1pc
Vice	1pc

OPTIONAL ACCESSORIES

Measuring system	HVS-MS
------------------	--------



- ◆ Basic type
- ◆ For measuring the hardness of the thin, small workpiece or coating
- ◆ Automatic turret
- ◆ The hardness scale can be changed to Rockwell and Brinell scales
- ◆ With manufacturer inspection certificate



Measuring system (optional)



SPECIFICATION

Measuring range	8-2900HV
Test load	0.01, 0.025, 0.05, 0.1, 0.2, 0.3, 0.5, 1kgf
Unit	HV0.01, HV0.025, HV0.05, HV0.1, HV0.2, HV0.3, HV0.5, HV1
Stage elevation	manual
Loading control	automatic (loading/dwell/unloading)
Loading time	1~60s
Objective	10X (observation), 40X (measurement)
Eyepiece	10X
Total magnification	100X (observation), 400X (measurement)
Max. test height	100mm
Max. throat	110mm
X-Y stage	size: 100×100mm
	travel range: 25×25mm
	graduation: 0.01mm
Dimension	530×290×490mm
Weight	40kg

INCLUDED ACCESSORIES

Main unit	1pc
10X eyepiece	1pc
X-Y stage	1pc
Test block	1pc
Level	1pc
Dustproof cover	1pc
Slice holder	1pc
Cylinder holder	1pc
Vice	1pc

OPTIONAL ACCESSORIES

Measuring system	HVS-MS
------------------	--------



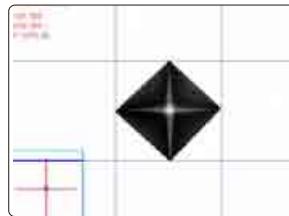
- ◆ Automatic turret
- ◆ Touch screen
- ◆ The hardness scale can be changed to Rockwell and Brinell scales
- ◆ With manufacturer inspection certificate



HVS50M



X-Y Stage(Optional)



Measuring System(Optional)

SPECIFICATION

Code	HVS10M	HVS50M
Test load	0.3, 0.5, 1, 3, 5, 10kgf	1, 5, 10, 20, 30, 50kgf
Stage elevation	manual	
Loading control	automatic (loading/dwell/unloading)	
Loading time	1-99s (adjustable)	
Objective	10X (observation), 20X (measurement)	
Eyepiece	10X	
Total magnification	100X (observation), 200X (measurement)	
Max. test height	160mm	
Max. throat	135mm	
X-Y stage (optional)	size: 100×100mm	
	travel range: 25×25mm	
	graduation: 0.01mm	
Dimension	530×280×630mm	
Weight	35kg	

INCLUDED ACCESSORIES

Main unit	1pc
10X, 20X Objective	1pc. each
Indenter	1pc
Test block	2pcs
V-avail	1pc
Flat avail	2pcs
Level	1pc
Dustproof cover	1pc

OPTIONAL ACCESSORIES

Measuring system	HVS-MS
X-Y stage	HVS-STAGE

- ◆ Mainly used for various metal parts and parts after thermal treatment Vickers hardness measurement. It is also suitable for the determination of effective hardening depth, coating and heat affected parts of welding parts.
- ◆ It can also be used to observe the metallographic structure of various metal parts and collect, display and print the image
- ◆ Automatic turret
- ◆ The hardness scale can be changed to Rockwell and Brinell scales
- ◆ With manufacturer inspection certificate



HVS1000MCNC

SPECIFICATION

Code	HVS1000MS	HVS1000MCNC
Measuring range	8-2900HV	
Test load	0.01, 0.025, 0.05, 0.1, 0.2, 0.3, 0.5, 1kgf	
Unit	HV0.01, HV0.025, HV0.05, HV0.1, HV0.2, HV0.3, HV0.5, HV1	
Stage elevation	Manual	Automatic
Focus	Manual	Automatic
Repeatability	±1.0%	
Loading control	automatic (loading/dwell/unloading)	
Loading time	1~99s	
Objective	10X (observation), 40X (measurement)	
Eyepiece	10X	
Total magnification	10X (observation), 40X (measurement)	
Camera pixel	5M	
Max. test height	160mm	
Max. throat	160mm	
X-Y stage	size: 150×150mm	
	travel range: 50×50mm	
	movement graduation: 0.001mm	
	movement speed: 1-10mm/s, adjustable	
	movement position repeatability: 1-3um	
	control: the software system can control the X-Y stage movement automatically by programming, click any point to set the random moving position	
Dimension	540×260×650mm	
Weight	50kg	

INCLUDED ACCESSORIES

Main unit	1pc
10X eyepiece	1pc
Camera	1pc
C-mount	1pc
Computer (with software)	1pc
USB dongle	1pc
Level	1pc
Test block	2pcs
X-Y stage	1pc
Controller	1pc
Vice	1pc
Slice holder	1pc
Cylinder holder	1pc
Touch screen pen	1pc
Dustproof cover	1pc



- ◆ For Rockwell, Brinell and Vickers testing
- ◆ Rockwell testing value gets from screen, and the Brinell and Vickers hardness gets from table in the operation manual
- ◆ With manufacturer inspection certificate



Small flat anvil



Large flat anvil



V-type anvil

SPECIFICATION

Load force for Rockwell	Preload force:98N, Total force: 588 , 980 ,1471 N
Rockwell resolution	0.1HR
Load force for Brinell	306, 613, 1839N
Load force for Vickers	294N
Stage elevation	manual
Loading control	motorized
Max. test height	175mm(Rockwell),100mm(Brinell), 115mm(Vickers)
Max. throat	165mm
Dimension	520×240×700mm
Weight	105kg

INCLUDED ACCESSORIES

Main unit	1pc
Ø1.5875mm ball carbide indenter	1pc
Diamond indenter for Rockwell	1pc
Ø5mm ball indenter for Brinell	1pc
Ø2.5mm ball indenter for Brinell	1pc
Indenter for Vickers	1pc
Small flat anvil for Rockwell	1pc

Large flat anvil for Rockwell	1pc
V-type anvil	1pc
HRC hardness test block	2pcs
HRB hardness test block	1pc
Brinell hardness test block	1pc
Vickers hardness test block	1pc
Dustproof cover	1pc

HL100

PORTABLE HARDNESS TESTER



- ◆ Large LCD display with backlight
- ◆ Based on HL scale, converted to other hardness scales (HV, HB, HRC, HRB, HS) and tensile strength MPa
- ◆ With wireless printer
- ◆ Can set impact direction
- ◆ With average value calculation function
- ◆ Automatic power off
- ◆ Conforms to the standard ASTM A956-02
- ◆ With manufacturer inspection certificate



Wireless printer (included)



Support ring (12pcs/set, **optional**)

HARDNESS

SPECIFICATION

Resolution	1HLD, 1HV, 1HB, 0.1HRC, 0.1HRB, 1HS, 1MPa
Accuracy	±6HLD/0.6HRC(HLD=800)
Min. workpiece weight	5kg (directly)
	2kg (on solid support)
	0.1kg (coupled on large plate)
Min. workpiece thickness	5mm
Min. workpiece diameter	22mm
Max. workpiece surface roughness	1.6μm(Ra)
Power	3 x AAA batteries
Dimension	150 × 80 × 24mm

INCLUDED ACCESSORIES

Main unit	1pc
Wireless printer	1pc
Test block	1pc
Small support ring	1pc
Brush	1pc
Charger for printer	1pc

OPTIONAL ACCESSORIES

Support ring (12pcs/set)	HL-SP
--------------------------	-------



- ◆ Touch screen, with backlight
- ◆ Based on HL scale, converted to other hardness scales (HV, HB, HRC, HRB, HS) and tensile strength Mpa
- ◆ With wireless printer
- ◆ Can set impact direction
- ◆ Memory : 500
- ◆ Low and high limits with judgement
- ◆ Automatic power off
- ◆ Conforms to the standard ASTM A956-02
- ◆ With manufacturer inspection certificate



Wireless printer (included)



Support ring (12pcs/set, optional)



DC(optional) C(optional) D(included) D+15(optional) DL(optional) G(optional)

SPECIFICATION

Resolution	1HLD, 1HV, 1HB, 0.1HRC, 0.1HRB, 1HS, 1MPa
Accuracy	±6HLD/0.6HRC(HLD=800)
Min. workpiece weight	5kg (directly)
	2kg (on solid support)
	0.1kg (coupled on large plate)
Min. workpiece thickness	5mm
Min. workpiece diameter	22mm
Max. workpiece surface roughness	1.6µm(Ra)
Power	Rechargeable battery
Dimension	135×83×24mm

INCLUDED ACCESSORIES

Main unit	1pc
Wireless printer	1pc
Test block	1pc
Small support ring and brush	1pc.each
USB cable and software	1pc
Charger	2pcs

OPTIONAL ACCESSORIES

Impact device DC	HL200-DC
Impact device C	HL200-C
Impact device D+15	HL200-D15
Impact device DL	HL200-DL
Impact device G	HL200-G
Supporting ring (12pcs/set)	HL-SP



HL350

PORTABLE HARDNESS TESTER



- ◆ Economic type
- ◆ Based on HL scale, converted to other hardness scales (HV, HB, HRC, HRB, HS) and tensile strength MPa
- ◆ Impact direction can be set
- ◆ With average value calculation function
- ◆ Conforms to the standard ASTM A956-02



Supporting ring (12pcs/set, optional)

SPECIFICATION

Resolution	1HLD, 1HV, 1HB, 0.1HRC, 0.1HRB, 1HS, 1MPa
Accuracy	±8HLD/0.8HRC(HLD=800)
Min. workpiece weight	5kg (directly)
	2kg (on solid support)
	0.1kg (coupled on large plate)
Min. workpiece thickness	5mm
Min. workpiece diameter	22mm
Max. workpiece surface roughness	1.6µm(Ra)
Power	3xAAA batteries
Dimension	121×68×30mm

INCLUDED ACCESSORIES

Main unit	1pc
Test block	1pc
Small support ring	1pc
Brush	1pc
Batteries	3pcs

OPTIONAL ACCESSORIES

Support ring (12pcs/set)	HL-SP
---------------------------------	--------------

HL400

PORTABLE HARDNESS TESTER



- ◆ Based on HL scale, converted to other hardness scales (HV, HB, HRC, HRB, HS) and tensile strength MPa
- ◆ Impact direction can be set
- ◆ With average value calculation function
- ◆ Automatic power off
- ◆ Conforms to the standard ASTM A956-02
- ◆ With manufacturer inspection certificate



SPECIFICATION

Resolution	1HLD, 1HV, 1HB, 0.1HRC, 0.1HRB, 1HS, 1MPa
Accuracy	±6HLD/0.6HRC(HLD=800)
Min. workpiece weight	5kg (directly)
	2kg (on solid support)
	0.1kg (coupled on large plate)
Min. workpiece thickness	5mm
Min. workpiece diameter	22mm
Max. workpiece surface roughness	1.6µm(Ra)
Power	3xAAA batteries
Dimension	150×80×24mm

INCLUDED ACCESSORIES

Main unit	1pc
Test block	1pc
Small support ring	1pc
Brush	1pc
USB cable	1pc
Batteries	3pcs

HL450/HL450W

PORTABLE HARDNESS TESTER



- ◆ Pocket size, easy to carry
- ◆ Based on HL scale, converted to other hardness scales (HV, HB, HRC, HRB, HS) and tensile strength MPa
- ◆ Impact direction can be set
- ◆ With average value calculation function
- ◆ Conforms to the standard ASTM A956-02
- ◆ With manufacturer inspection certificate



Supporting ring (12pcs/set, optional)



HL450

SPECIFICATION

Code	HL450	HL450W
Printer	with	without
Resolution	1HLD, 1HV, 1HB, 0.1HRC, 0.1HRB, 1HS, 1MPa	
Accuracy	±6HLD/0.6HRC(HLD=800)	
Min. workpiece weight	5kg (directly)	
	2kg (on solid support)	
	0.1kg (coupled on large plate)	
Min. workpiece thickness	5mm	
Min. workpiece diameter	30mm	
Max. workpiece surface roughness	1.6µm(Ra)	
Output	USB and wireless	
Power supply	rechargeable battery	
Dimension	147×35×22mm	
Weight	65g	

INCLUDED ACCESSORIES

Main unit	1pc	Brush	1pc
Test block	1pc	Charger	1pc
Small supporting ring	1pc		

OPTIONAL ACCESSORIES

Supporting ring (12pcs/set)	HL-SP
-----------------------------	-------

GY-2

FRUIT HARDNESS TESTER

- ◆ Used to measure the hardness of some fruit like apples, pears
- ◆ Hardness can judge ripeness of the fruit



SPECIFICATION

Range	0.5-4kg/cm ² (0.5-4×10 ⁵ pa)
Graduation	0.02kg/cm ² (0.02×10 ⁵ pa)
Accuracy	±2%
Probe diameter	Ø3.5mm
Probe depth	10mm
Dimension	151×55×30mm
Weight	220g

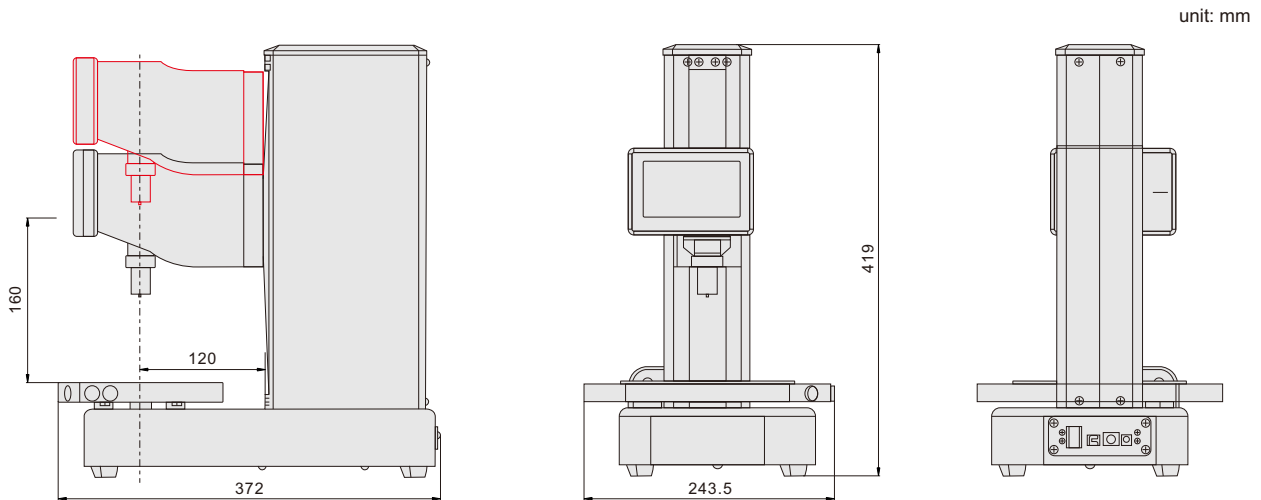
INCLUDED ACCESSORIES

Main unit	1pc
Probe	1pc





- ◆ Put the workpiece under the indenter, and press one button, the measuring results will be shown soon
- ◆ Can measure plastic, rubber, sponge with different hardness
- ◆ Include three indenters (type A, D, OO)
- ◆ Touch screen
- ◆ With data output
- ◆ With manufacturer inspection certificate



SPECIFICATION

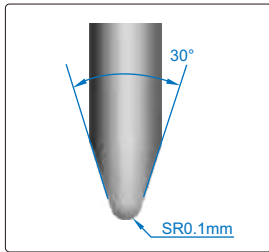
Probe moving range	160mm
Stage moving range(X)	80mm
Loading control	Stepping motor
Loading force	Spring force
Max. workpiece height	120mm
Accuracy	±1
Resolution	0.1
Output	USB
Power supply	DC24V/5A

INCLUDED ACCESSORIES

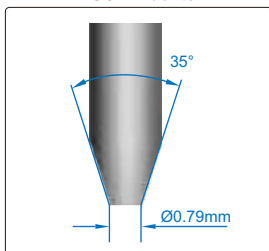
Main unit	1pc
AD/DC adapter	1pc
Software and USB cable	1pc.each
A/D/OO indenter	1pc.each
Calibration block	2pcs



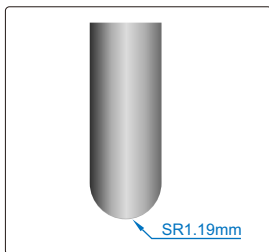
- ◆ Conforms to ISO868, ISO7619,ASTMD 2240
- ◆ Testing time is adjustable
- ◆ With average calculation function
- ◆ With manufacturer inspection certificate



HS5D indenter



HS1A indenter



HSOO indenter



HS1A



Standard block (included)



PR100 printer (optional)



Standard (optional)



SPECIFICATION

Code	HS1A	HS5D	HSOO
Scale	HA(Shore A)	HD(Shore D)	HOO(Shore OO)
For material	soft plastic, rubber, leather, etc.	hard plastic, hard rubber, etc.	soft sponge, soft rubber, etc.
Measuring range	20~90HA	20~90HD	20~90HOO
Resolution	0.1HA	0.1HD	0.1HOO
Accuracy	±1HA	±1HD	±1HOO
Indenter protrusion	2.5mm		
Power	rechargeable battery		
Weight	180g		

INCLUDED ACCESSORIES

Main unit	1pc
Standard block	1pc
Charger	1pc
Software	1pc

OPTIONAL ACCESSORIES

Printer	PR100
Stand for HS1A	HS-1A-STD
Stand for HS5D	HS-5D-STD
Stand for HSOO	HS-OO-STD

- ◆ Conforms to ISO868, ISO7619, ASTM D 2240
- ◆ With peak value indicator



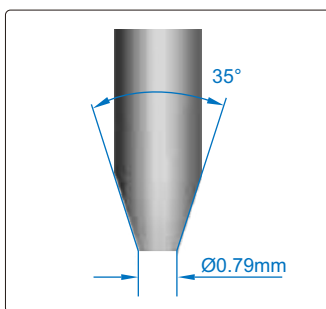
HARDNESS



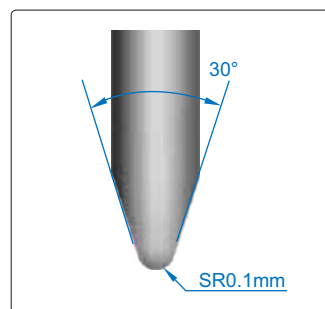
HSM-1A-ST stand (optional)



HSM1A



HSM1A indenter



HSM5D indenter

SPECIFICATION

Code	HSM1A	HSM5D
Scale	HA(Shore A)	HD(Shore D)
For material	soft plastic, rubber, leather, etc.	hard plastic, hard rubber, etc.
Measuring range	20~90HA	20~90HD
Graduation	1HA	1HD
Accuracy	±1HA	±1HD
Indenter protrusion	2.5mm	
Weight	500g	

OPTIONAL ACCESSORIES

Stand for HSM1A	HSM-1A-ST
Stand for HSM5D	HSM-5D-ST



SERIES HS

TEST STAND FOR DIGITAL SHORE HARDNESS TESTER

- ◆ For digital shore hardness tester
- ◆ Perform repeatable hardness measurement due to fewer possibilities of human error or measurement variations
- ◆ Special structure for stable loading



HS-1A-STD

SPECIFICATION

Code	HS-1A-STD	HS-5D-STD	HS-00-STD
For hardness tester	HS1A	HS5D	HS00
Test force (weight block)	1kg	5kg	0kg
Stage diameter	Ø115mm		
Max. workpiece height	45mm		
Max. testing width	63mm (from test point to the column)		
Dimension	Ø195x370mm		
Weight	5.6kg	11kg	4.5kg

SERIES HSM

TEST STAND FOR SHORE HARDNESS TESTER

- ◆ For shore hardness tester
- ◆ Perform repeatable hardness measurement due to fewer possibilities of human error or measurement variations



HSM-1A-ST

SPECIFICATION

Code	HSM-1A-ST	HSM-5D-ST
For hardness tester	HSM1A	HSM5D
Test force (weight block)	1kg	5kg
Stage diameter	Ø100mm	
Max. workpiece height	75mm	
Max. testing width	65mm (from test point to the column)	
Weight	2kg	7kg

UHT200

ULTRASONIC HARDNESS TESTER



- ◆ Mainly used for small or thin-walled products as well as parts of complex shape or with areas that need to be tested in hard-to-reach places
- ◆ With a shockproof silicone case that prevents the device from malfunctioning
- ◆ Hardness scales: HV, HB, HRC and tensile strength Mpa
- ◆ Memory : 256
- ◆ Automatic power off
- ◆ With special software for data processing
- ◆ With manufacturer inspection certificate



Measure gear teeth



Measure small part



SPECIFICATION

Measuring range	HRC	20-70
	HB	90-650
	HV	230-940
	Mpa	370-1740
Accuracy	HRC	±1.5
	HB	±3%
	HV	±3%
Min. workpiece thickness		1mm
Min. workpiece diameter		5mm
Max. workpiece surface roughness		Ra:2.5µm
Min. thickness of surface hardening layer		0.1mm
Min. test area		Ø1mm
Power supply		Rechargeable battery
Dimension		122×65×24mm

INCLUDED ACCESSORIES

Main unit	1pc
Probe (50N)	1pc
Rechargeable battery	2pcs
USB cable and software	1pc.each
Charger	1pc

HB937-1

BARCOL HARDNESS TESTER



- ◆ To measure the hardness of thick workpieces made of pure aluminum, aluminum alloy, fiber reinforced plastic, hard plastic, etc.
- ◆ Comforms to ASTM B648-2000
- ◆ With manufacturer inspection certificate



SPECIFICATION

Hardness range	0 ~ 100HBa (25 ~ 150HBW)
Graduation	1HBa
Accuracy	±2HBa (42 ~ 52HBa) ±1HBa (84 ~ 88HBa)
Min. workpiece thickness	0.8mm
Dimension	142×65×90mm
Weight	500g

INCLUDED ACCESSORIES

Main unit	1pc
Spare indenter	2pcs
Hardness test block	2pcs
Wrench	1pc

SERIES DHB937

DIGITAL BARCOL HARDNESS TESTER



- ◆ To measure the hardness of thick workpieces made of pure aluminum, aluminum alloy, fiber reinforced plastic, hard plastic, etc.
- ◆ Comforms to ASTM B648-2000
- ◆ The scale of DHB937-2 can be converted to HW, HV, HBW and HRE



DHB937-1

SPECIFICATION

Code	DHB937-1	DHB937-2
Scale conversion	No	Yes
Hardness range	0 ~ 100HBa (25 ~ 150HBW)	
Graduation	0.1HBa	
Accuracy	±2HBa (42 ~ 48HBa) ±1HBa (84 ~ 88HBa)	
Min. workpiece thickness	0.8mm	
Power supply	3×AAA batteries	
Dimension	180×70×90mm	
Weight	800g	

INCLUDED ACCESSORIES

Main unit	1pc
Spare indenter	2pcs
Calibration block	1pc
Battery	3pcs
Hardness test block	2pcs
Wrench	1pc

SERIES HW

WEBSTER HARDNESS TESTER

- ◆ To measure the hardness of soft metal such as aluminum alloy, copper, brass, soft steel
- ◆ Conforms to the standard ASTM B647



HW-L20

SPECIFICATION

Code	HW-L20	HW-L20A	HW-L20B	HW-B75	HW-C75	HW-B92
Application	aluminum alloy			hard aluminum alloy and brass	soft brass and copper	soft steel and cold-rolled steel
Measuring hardness range	58-131HV			63-105HRF	18-100HRE	50-92HRB
Thickness range to be measured of flat workpiece	0.4 ~ 6mm	0.4 ~ 13mm	0.4 ~ 8mm	0.4 ~ 6mm	0.4 ~ 6mm	0.4 ~ 6mm
Min. Internal diameter of tube workpiece	Ø10mm	Ø10mm	Ø6mm	Ø10mm	Ø10mm	Ø10mm
Hardness range	0 ~ 20HW					
Min. reading	1HW					
Accuracy	±0.5HW (at 5 ~ 17HW)					
Dimension	205×30×85mm					
Weight	500g					

INCLUDED ACCESSORIES

Main unit	1pc	Hardness test block	1pc
Spare indenter	1pc	Wrench	1pc

STE70

DIGITAL REBOUND TESTER



- ◆ Measure the strength of general building components, bridges and various concrete components (slabs, beams, columns, bridges and so on.)
- ◆ Built in national unified curve (JGJ/T23-2011)
- ◆ Small size, modular design, easy to use
- ◆ Built in large capacity memory, can store 999 standard components, and a single component can set up 99 measuring areas and 159840 measuring point data



SPECIFICATION

Measuring range	10-60Mpa
Impact energy	2.207J
Accuracy	±1
Sifness of spring	785±30N.m
Working length of spring	61.5±0.3mm
Tensile length of spring	75±0.3mm
Rated value of steel anvil	80±2
Operating temperature	-4°C-40°C
Display	2.08 inch OLED display
Power supply	rechargeable battery
Weight	1.1kg

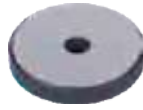
INCLUDED ACCESSORIES

Main unit	1pc
Sander	1pc
Spare spring	1set
Screwdriver	3pcs
Software and cable	1set
AD/DC adapter	1pc



SERIES BLK

STANDARD HARDNESS BLOCK



Rockwell/Vickers/Brinell



Shore A



Leeb

SPECIFICATION

Code	Type	Hardness
BLK-HRC1	Rockwell C	60-70HRC
BLK-HRC2		20-30HRC
BLK-HRC3		30-35HRC
BLK-HRC4		40-50HRC
BLK-HRC5		50-55HRC
BLK-HRB1	Rockwell B	85-95HRB
BLK-HRB2		60-70HRB
BLK-HV1	Vickers	700-800HV5
BLK-HV2		700-800HV10
BLK-HV3		400-600HV5
BLK-HV4		400-600HV10
BLK-HB1	Brinell	150-250HBW 10/3000
BLK-HB2		150-250HBW 5/750
BLK-HLD	Leeb	750-830HLD
BLK-HSA	Shore A	7pcs/set: 30-39HA, 40-49HA, 50-59HA, 60-69HA, 70-79HA, 80-89HA, 90-99HA

RC30

SURFACE ROUGHNESS SPECIMEN

- ◆ For checking, identifying and specifying the roughness by symbol
- ◆ Accuracy: -17% ~ +12%



Machining method	Quantity	Roughness (Ra)
Flat lapping	2	0.1, 0.05µm
External grinding	4	0.2, 0.4, 0.8, 1.6µm
Plain grinding	6	0.05, 0.1, 0.2, 0.4, 0.8, 1.6µm
Horizontal milling	6	0.4, 0.8, 1.6, 3.2, 6.3, 12.5µm
Vertical milling	6	0.4, 0.8, 1.6, 3.2, 6.3, 12.5µm
Turning	6	0.4, 0.8, 1.6, 3.2, 6.3, 12.5µm