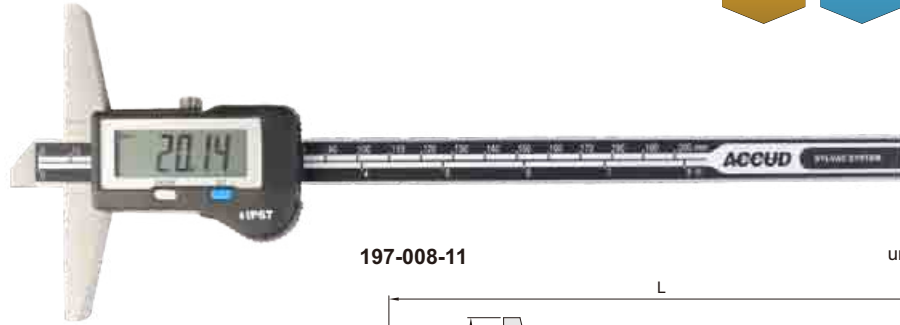


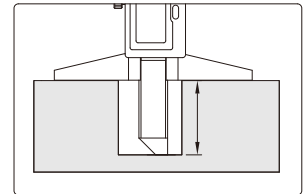
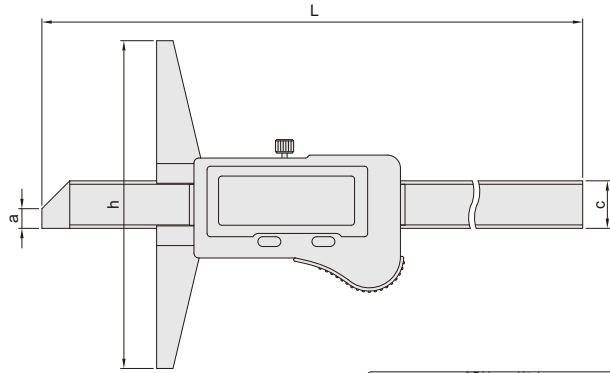
SERIES 197

IP67 WATERPROOF DIGITAL DEPTH CALIPER



197-008-11

unit: mm



- ◆ IP67 protection level
- ◆ Absolute measuring system
- ◆ Resolution: 0.01mm/0.0005"
- ◆ Automatic power off
- ◆ Buttons: zero, mm/inch, data preset
- ◆ Made of stainless steel

Code	Range	Accuracy	a	c	h	L
197-006-11	0-150mm/0-6"	±0.02mm	5	14.5	100	232
197-008-11	0-200mm/0-8"	±0.02mm	5	14.5	100	285
197-012-11	0-300mm/0-12"	±0.03mm	5	14.5	150	390

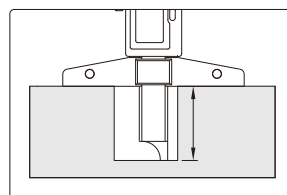
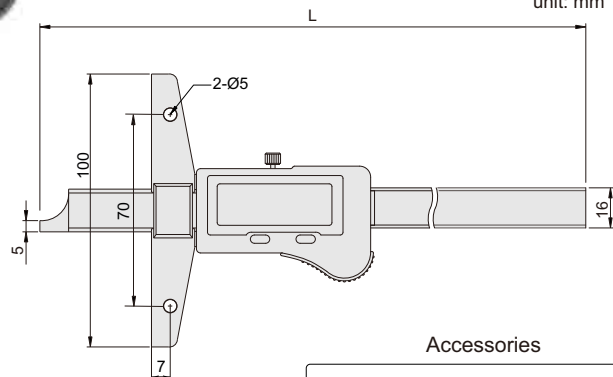
SERIES 197

IP67 WATERPROOF DIGITAL DEPTH CALIPER WITH HOLES



197-006-21

unit: mm



Accessories



- ◆ IP67 protection level
- ◆ Absolute measuring system
- ◆ Resolution: 0.01mm/0.0005"
- ◆ Automatic power off
- ◆ Buttons: zero, mm/inch, data preset
- ◆ Made of stainless steel
- ◆ Optional accessory: series 170 extension base

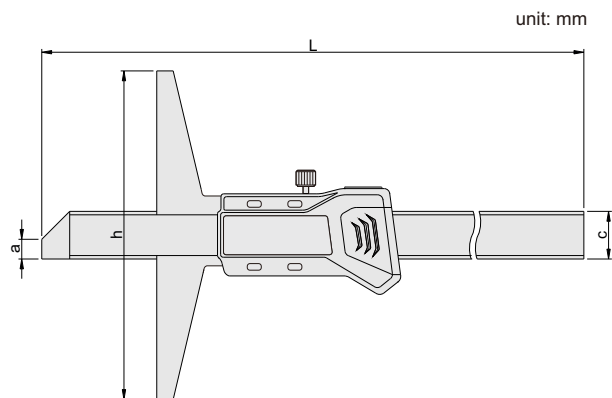
Code	Range	Accuracy	L
197-006-21	0-150mm/0-6"	±0.02mm	237
197-008-21	0-200mm/0-8"	±0.02mm	287
197-012-21	0-300mm/0-12"	±0.03mm	403

SERIES 171

DIGITAL DEPTH CALIPER

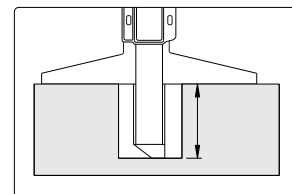


- ◆ Resolution: 0.01mm/0.0005"
- ◆ Automatic power on/off
- ◆ Buttons: on/off, zero, mm/in, INC
- ◆ Data output(cable code: 100-03 or 100-04)
- ◆ Made of stainless steel



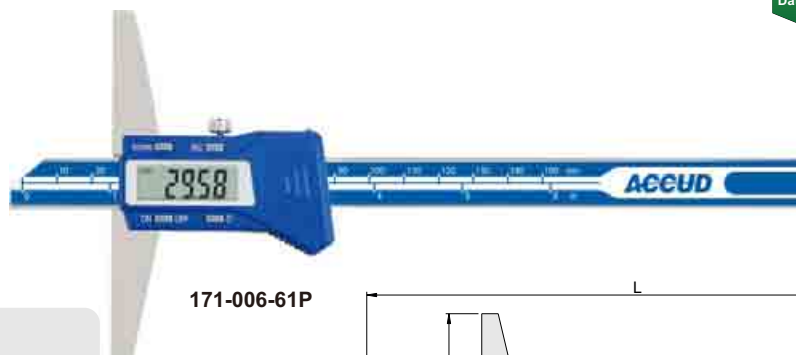
unit: mm

Code	Range	Accuracy	a	c	h	L
171-006-11	0-150mm/0-6"	±0.03mm	6	14.5	100	230
171-008-11	0-200mm/0-8"	±0.03mm	6	14.5	100	280
171-012-11	0-300mm/0-12"	±0.04mm	6	14.5	150	380
171-020-11	0-500mm/0-20"	±0.05mm	7	15	150	585



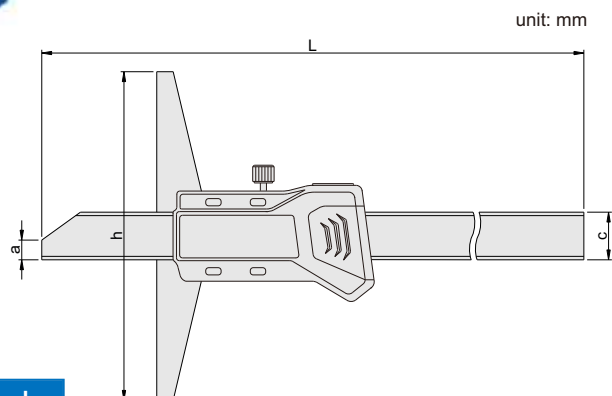
SERIES 171

DIGITAL DEPTH CALIPER



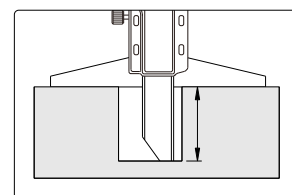
171-006-61P

- ◆ Resolution: 0.01mm/0.0005"
- ◆ Automatic power on/off
- ◆ Buttons: on/off, zero, mm/in, INC
- ◆ Data output(cable code: 100-03 or 100-04)
- ◆ Made of stainless steel



unit: mm

Code	Range	Accuracy	a	c	h	L
171-006-61P	0-150mm/0-6"	±0.03mm	6	14.5	100	230
171-008-61P	0-200mm/0-8"	±0.03mm	6	14.5	100	280
171-012-61P	0-300mm/0-12"	±0.04mm	6	14.5	150	380
171-020-61P	0-500mm/0-20"	±0.05mm	7	16	150	585
171-024-61P	0-600mm/0-24"	±0.05mm	7	16	150	685



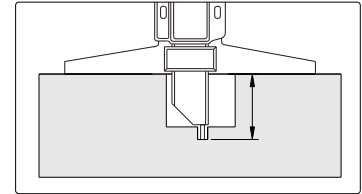
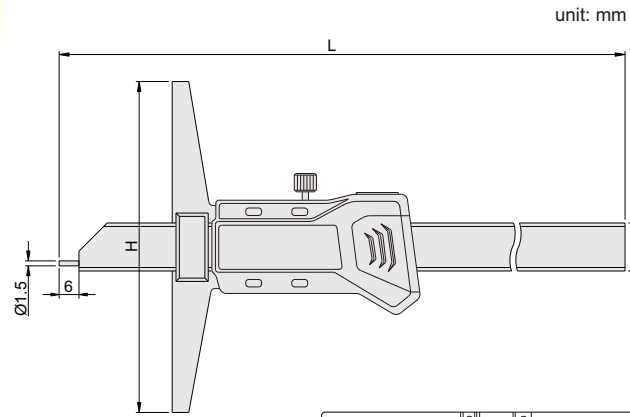
SERIES 172

DIGITAL PIN DEPTH CALIPER



172-008-11

- ◆ Measure the depth of small holes or grooves
- ◆ Resolution: 0.01mm/0.0005"
- ◆ Automatic power on/off
- ◆ Buttons: on/off, zero, mm/in, INC
- ◆ Data output(cable code: 100-03 or 100-04)
- ◆ Made of stainless steel



Code	Range	Accuracy	H	L	C
172-008-11	0-200mm/0-8"	±0.03mm	100	291	14.5
172-012-11	0-300mm/0-12"	±0.04mm	150	395	15

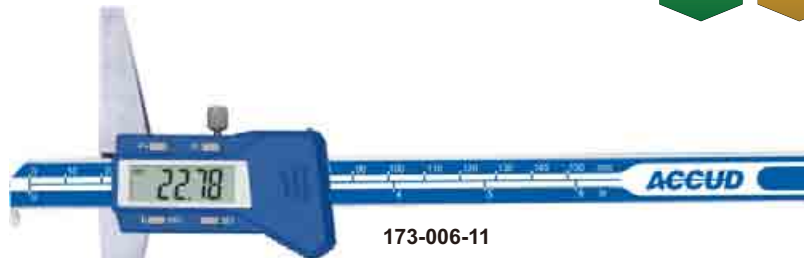
SERIES 173

DIGITAL HOOK DEPTH CALIPER

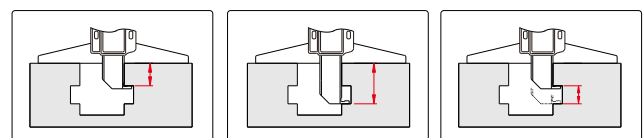
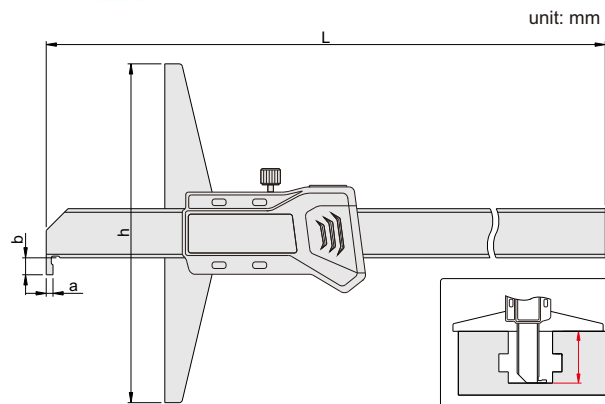


VIDEO

- ◆ Measure the depth of grooves
- ◆ Resolution: 0.01mm/0.0005"
- ◆ Automatic power on/off
- ◆ Buttons: mm/in, SET, preset(P+,P-)
- ◆ Data output(cable code: 100-03 or 100-04)
- ◆ Made of stainless steel



173-006-11



Code	Range	Accuracy	a	b	h	L
173-006-11	0-150mm/0-6"	±0.04mm	2	5	100	235
173-008-11	0-200mm/0-8"	±0.04mm	2	5	100	285
173-012-11	0-300mm/0-12"	±0.05mm	2	5	150	390
173-020-11	0-500mm/0-20"	±0.05mm	3	8	150	585
173-006-21	0-150mm/0-6"	±0.04mm	1	4	100	235
173-008-21	0-200mm/0-8"	±0.04mm	1	4	100	285
173-012-21	0-300mm/0-12"	±0.05mm	1	4	150	390
173-020-21	0-500mm/0-20"	±0.05mm	3	8	200	585

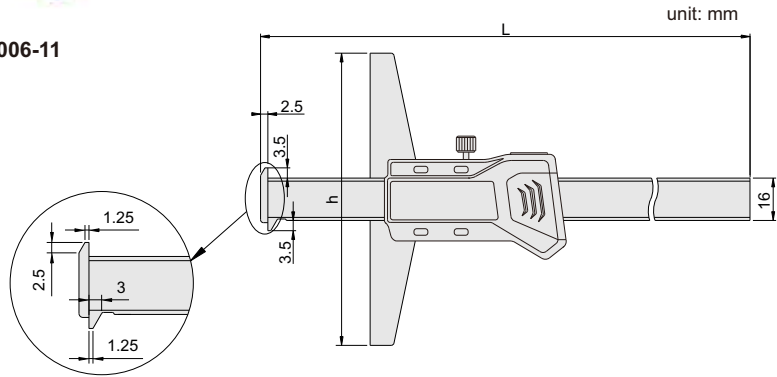
SERIES 174

DIGITAL DOUBLE HOOK DEPTH CALIPER

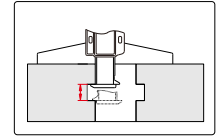
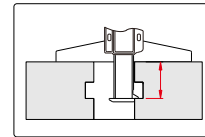
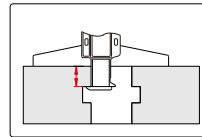


174-006-11

- ◆ Measure the depth of grooves
- ◆ Resolution: 0.01mm/0.0005"
- ◆ Automatic power on/off
- ◆ Buttons: on/off, zero, mm/in, INC
- ◆ Data output(cable code:100-03 or 100-04)
- ◆ Made of stainless steel



Code	Range	Accuracy	h	L
174-006-11	0-150mm/0-6"	±0.03mm	100	233
174-008-11	0-200mm/0-8"	±0.03mm	100	283
174-012-11	0-300mm/0-12"	±0.04mm	150	383



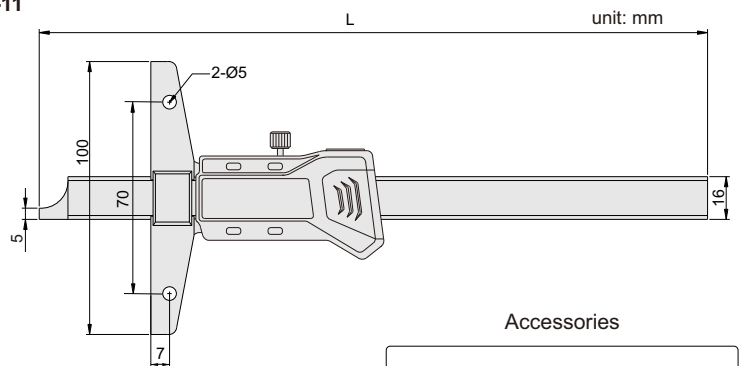
SERIES 191

DIGITAL DEPTH CALIPER WITH HOLES

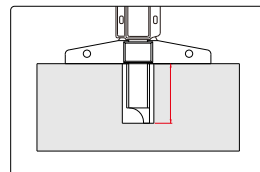


191-006-11

- ◆ With hole, for mounting the extension base
- ◆ Resolution: 0.01mm/0.0005"
- ◆ Buttons: on/off, zero, mm/in, INC
- ◆ Automatic power on/off
- ◆ Data output(cable code:100-03 or 100-04)
- ◆ Made of stainless steel
- ◆ Optional accessory: series 170 extension base



Code	Range	Accuracy	L
191-006-11	0-150mm/0-6"	±0.03mm	237
191-008-11	0-200mm/0-8"	±0.03mm	287
191-012-11	0-300mm/0-12"	±0.04mm	403



Accessories



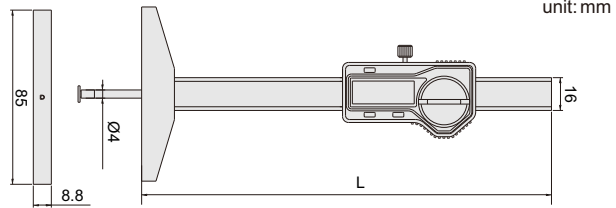
SERIES 193

DIGITAL DEPTH CALIPER WITH ROUND DEPTH BAR

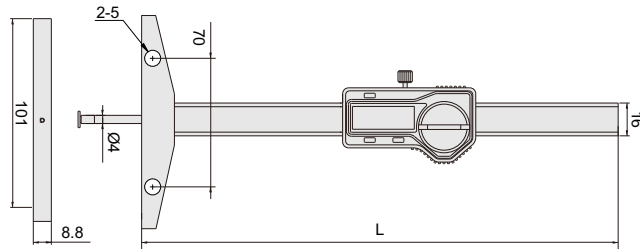


193-004-11

- ◆ Resolution: 0.01mm/0.0005"
- ◆ Supplied with three interchangeable points (flat, spherical, disk)
- ◆ Buttons: on/off, set, mm/inch
- ◆ Automatic power off
- ◆ Data output (cable code: 100-11 or 100-12)
- ◆ Made of stainless steel



unit: mm



193-006-11, 193-008-11 and 193-012-11

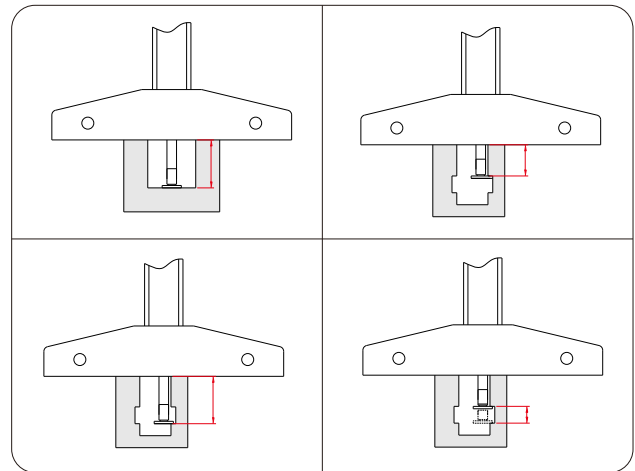
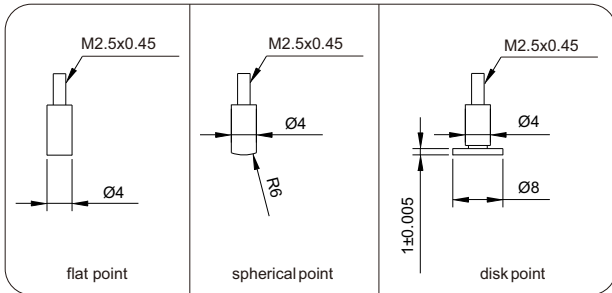
Accessory application



170 series (optional)

DEPTH

points (include)

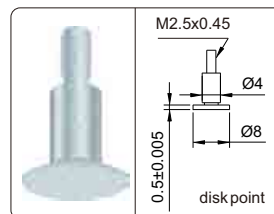


Code	Range	Accuracy	L
193-004-11	0-100mm/0-4"	±0.02mm	200
193-006-11	0-150mm/0-6"	±0.03mm	300
193-008-11	0-200mm/0-8"	±0.03mm	300
193-012-11	0-300mm/0-12"	±0.04mm	400

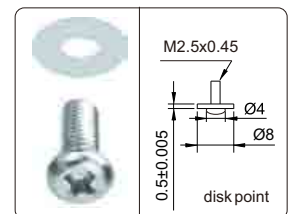
OPTIONAL ACCESSORIES

Code	Description	Remark
193-T04	0.5mm disk point	for grooves inside blind hole
193-T05	0.5mm disk point	for narrow grooves

193-T04 (optional)



193-T05 (optional)

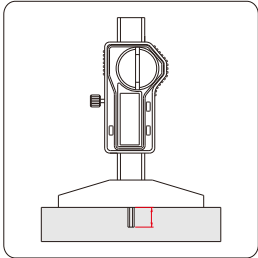


SERIES 194

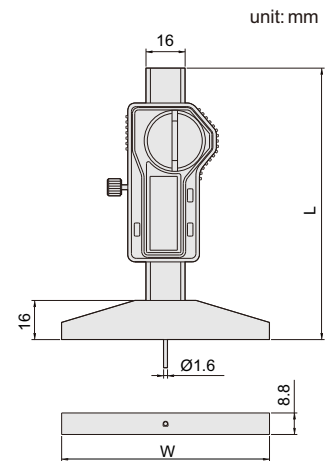
DIGITAL DEPTH CALIPER WITH ROUND DEPTH BAR



- ◆ Measure depth of small groove and hole
- ◆ Resolution: 0.01mm/0.0005"
- ◆ Buttons: on/off, set, mm/inch
- ◆ Automatic power off
- ◆ Data output (cable code: 100-11 or 100-12)
- ◆ Made of stainless steel



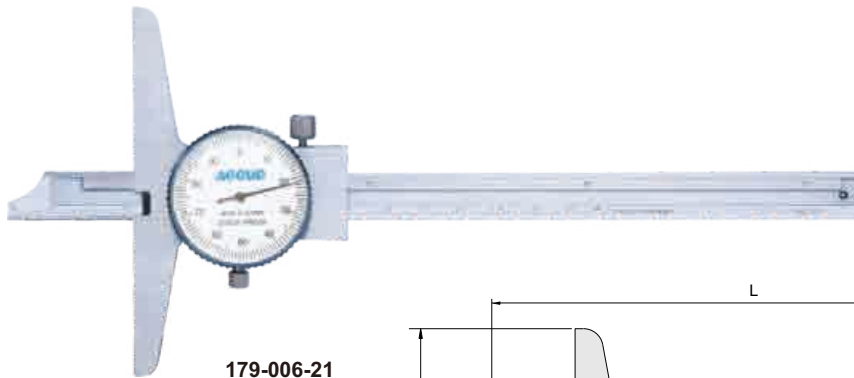
194-002-11



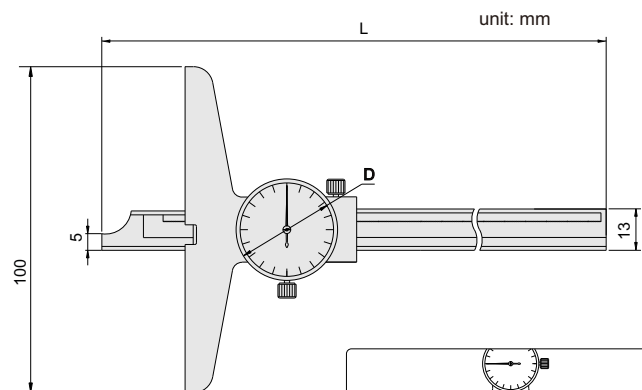
Code	Range	Accuracy	L	W
194-001-11	0-25mm/0-1"	±0.02mm	110	85
194-002-11	0-50mm/0-2"	±0.02mm	135	85
194-006-11	0-150mm/0-6"	±0.03mm	235	100

SERIES 179

DIAL DEPTH CALIPER

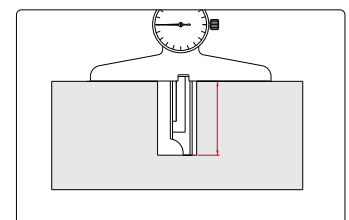


179-006-21



- ◆ Shockproof dial indicator
- ◆ Graduation: 0.02mm
- ◆ Made of stainless steel

Code	Range	Accuracy	D	L
179-006-21	0-150mm	±0.03mm	Ø39	235
179-008-21	0-200mm	±0.03mm	Ø39	285
179-012-21	0-300mm	±0.04mm	Ø39	308



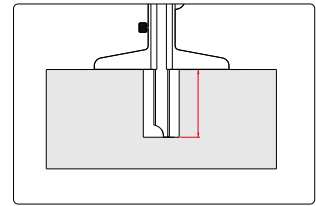
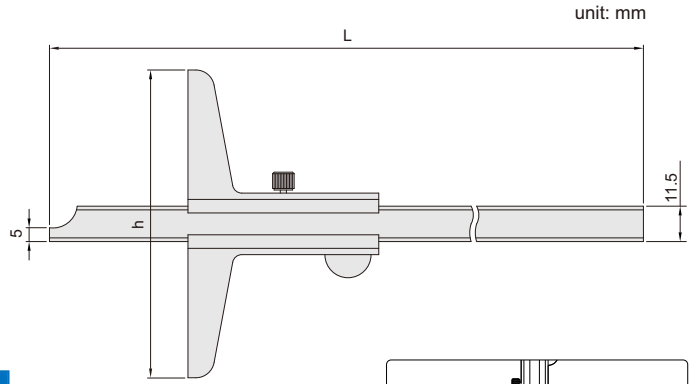
SERIES 177

VERNIER DEPTH CALIPER



177-008-11

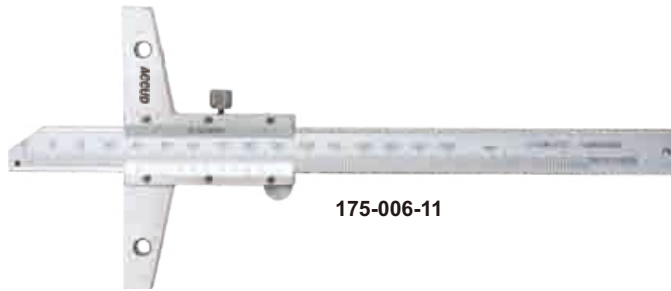
- ◆ Graduation: 0.02mm
- ◆ Made of stainless steel
- ◆ Satin chrome plated reading surface



Code	Range	Accuracy	h	L
177-006-11	0-150mm	±0.03mm	100	245
177-008-11	0-200mm	±0.03mm	100	282
177-012-11	0-300mm	±0.04mm	100	382
177-020-11	0-500mm	±0.05mm	150	585

SERIES 175

VERNIER DEPTH CALIPER



175-006-11

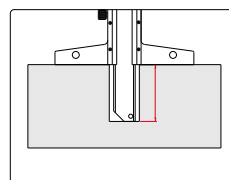
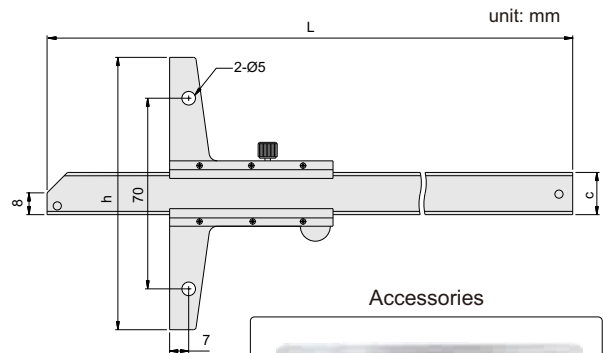
- ◆ Made of stainless steel
- ◆ Satin chrome plating finish on reading surface
- ◆ Optional accessory: series 170 extension base

Graduation 0.02mm

Code	Range	Accuracy	c	h	L
175-006-11	0-150mm	±0.03mm	16	100	240
175-008-11	0-200mm	±0.03mm	16	100	290
175-012-11	0-300mm	±0.04mm	16	100	390
175-024-11	0-600mm	±0.05mm	16	150	704
175-040-11	0-1000mm	±0.07mm	18	200	1124

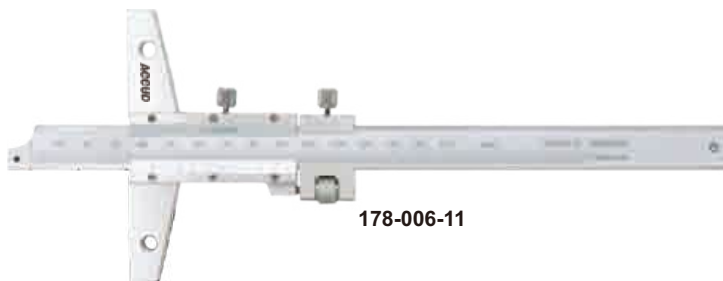
Graduation 0.05mm

Code	Range	Accuracy	c	h	L
175-006-13	0-150mm	±0.05mm	16	100	240
175-008-13	0-200mm	±0.05mm	16	100	290
175-012-13	0-300mm	±0.08mm	16	100	390
175-024-13	0-600mm	±0.10mm	16	150	704
175-040-13	0-1000mm	±0.15mm	18	200	1124



SERIES 178

VERNIER DEPTH CALIPER



178-006-11

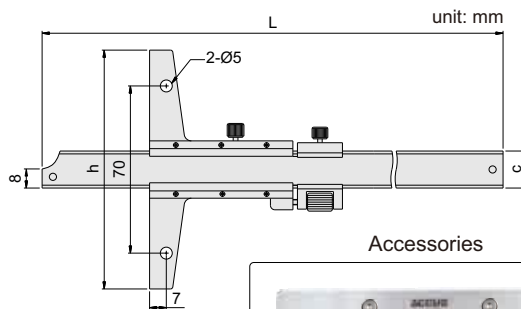
- ◆ With fine adjustment
- ◆ Made of stainless steel
- ◆ Satin chrome plating finish on reading surface
- ◆ Optional accessory: series 170 extension base

Graduation 0.02mm

Code	Range	Accuracy	c	h	L
178-006-11	0-150mm	±0.03mm	16	100	256
178-008-11	0-200mm	±0.03mm	16	100	306
178-012-11	0-300mm	±0.04mm	16	100	406
178-024-11	0-600mm	±0.05mm	16	150	720
178-040-11	0-1000mm	±0.07mm	18	200	1140

Graduation 0.05mm

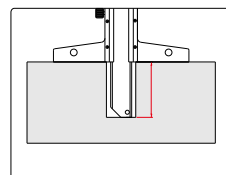
Code	Range	Accuracy	c	h	L
178-006-13	0-150mm	±0.05mm	16	100	256
178-008-13	0-200mm	±0.05mm	16	100	306
178-012-13	0-300mm	±0.08mm	16	100	406
178-024-13	0-600mm	±0.10mm	16	150	720
178-040-13	0-1000mm	±0.15mm	18	200	1140



Accessories

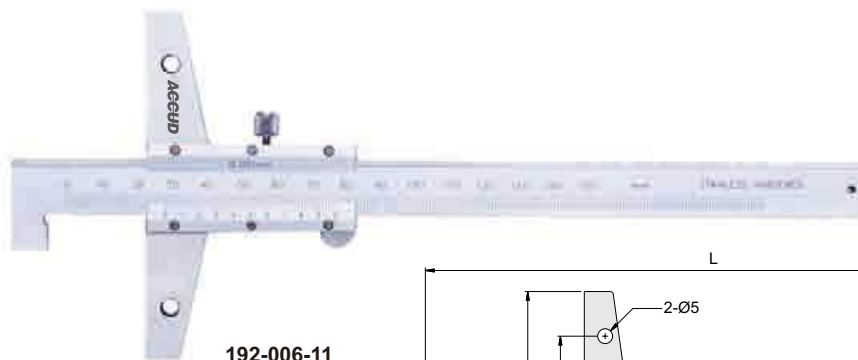


series 170 (optional)



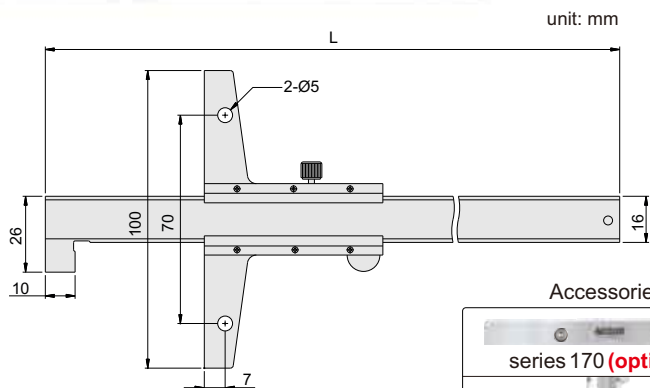
SERIES 192

VERNIER HOOK DEPTH CALIPER



192-006-11

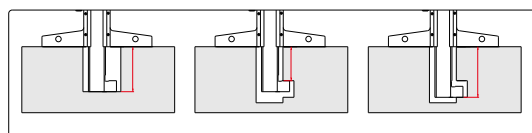
- ◆ Graduation: 0.02mm
- ◆ Made of stainless steel
- ◆ Satin chrome plating finish on reading surface
- ◆ Optional accessory: series 170 extension base



Accessories



series 170 (optional)



Code	Range	Accuracy	L
192-006-11	0-150mm	±0.03mm	245
192-008-11	0-200mm	±0.03mm	295
192-012-11	0-300mm	±0.04mm	395

SERIES 170

EXTENSION BASE FOR DEPTH CALIPER

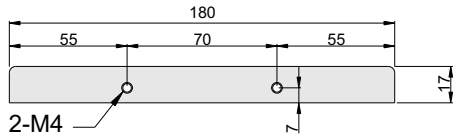


VIDEO

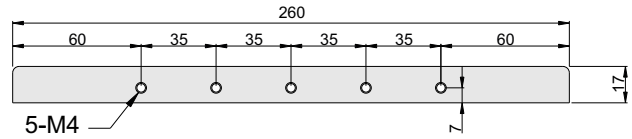


170-260-01

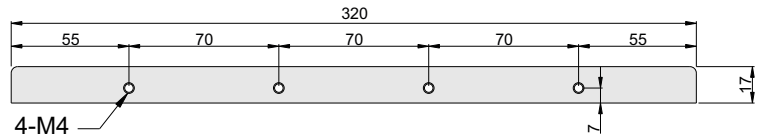
unit: mm



170-180-01



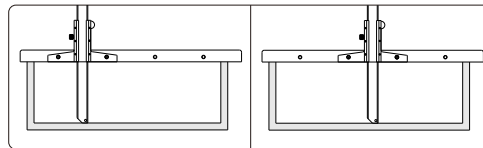
170-260-01



170-320-01

- ◆ Add extension base to measure large hole or gap
- ◆ For depth caliper 175, 178, 191, 192, 197-xxx-21 series and 193(range 150, 200, 300mm) series

Code	Length
170-180-01	180mm
170-260-01	260mm
170-320-01	320mm



Application



176

DIGITAL DEPTH CALIPER



- ◆ Measure the depth of grooves, small holes and tire thread
- ◆ Resolution: 0.01mm/0.0005"
- ◆ Automatic power on/off
- ◆ Buttons: on/off, zero, mm/in, INC
- ◆ Data output(cable code: 100-03 or 100-04)
- ◆ Made of stainless steel

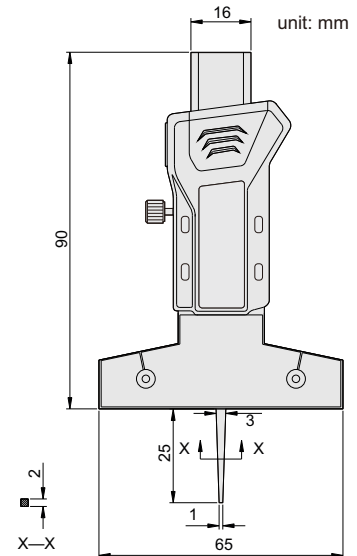
Set zero



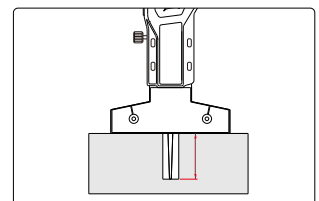
Measure tire thread



Zero setting block (included)



unit: mm

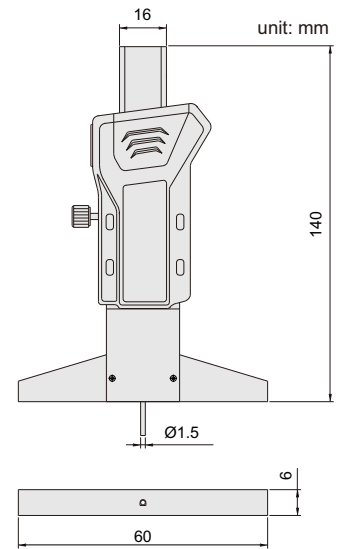
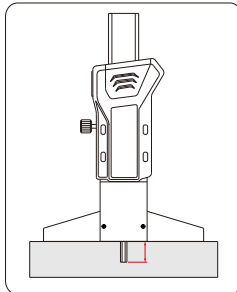


Code	Range	Accuracy
176-001-11	0-25mm/0-1"	±0.03mm



- ◆ Measure depth of small groove and hole
- ◆ Resolution: 0.01mm/0.0005"
- ◆ Buttons: on/off, zero, mm/in, INC
- ◆ Automatic power off
- ◆ Data output (cable code: 100-03 or 100-04)
- ◆ Made of stainless steel

Set zero



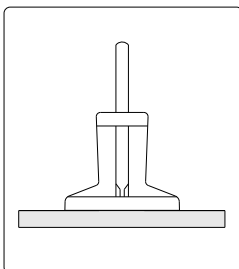
Zero setting block (included)



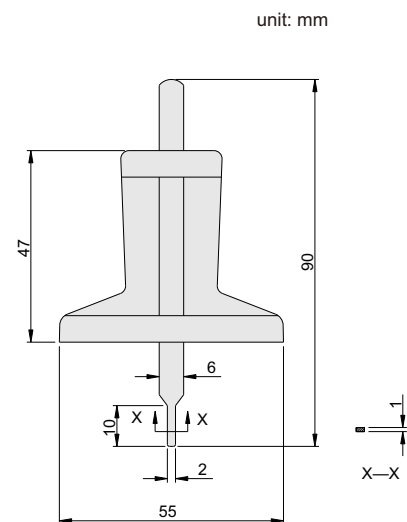
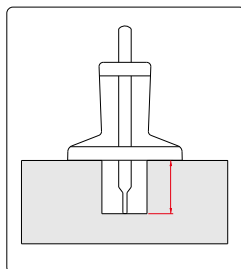
Code	Range	Accuracy
176-001-21	0-30mm/0-1.2"	±0.03mm

- ◆ Measure the depth of grooves, small holes and tire thread
- ◆ Graduation: 0.1mm
- ◆ Made of stainless steel

Set zero



Measure

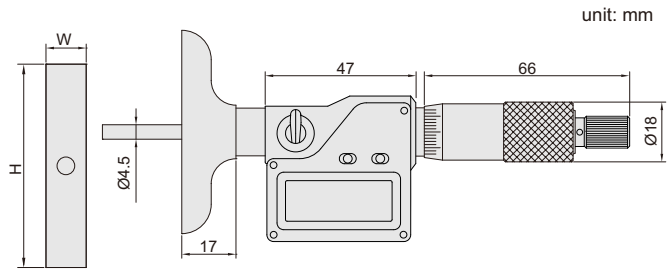


Code	Range	Accuracy
176-030-12	0-30mm	±0.10mm

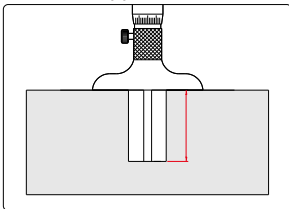


395-002-01

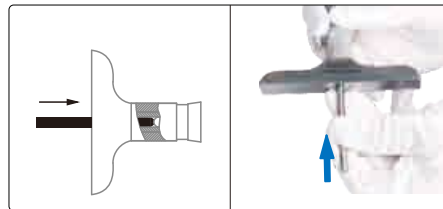
- ◆ Resolution: 0.001mm/0.00005"
- ◆ Micrometer head accuracy: $\pm 3\mu\text{m}$
Rod accuracy: $\pm(2+L/75)\mu\text{m}$, L is the measuring range in mm
- ◆ Button: on/off, set, mm/inch, ABS/INC, data output
- ◆ IP65 protection level
- ◆ Data output
- ◆ Automatic power off
- ◆ Rods with flat end
- ◆ Ratchet stop



Application



Install rod



Rod (included)



Code	Range	Base(HxW)	Rod
395-001-01	0-25mm/0-1"	101x17mm	1pc
395-002-01	0-50mm/0-2"	101x17mm	2pcs
395-004-01	0-100mm/0-4"	101x17mm	4pcs
395-006-01	0-150mm/0-6"	101x17mm	6pcs
395-008-01	0-200mm/0-8"	101x17mm	8pcs
395-012-01	0-300mm/0-12"	101x17mm	12pcs
395-001-02	0-25mm/0-1"	63x17mm	1pc
395-002-02	0-50mm/0-2"	63x17mm	2pcs
395-004-02	0-100mm/0-4"	63x17mm	4pcs
395-006-02	0-150mm/0-6"	63x17mm	6pcs
395-008-02	0-200mm/0-8"	63x17mm	8pcs
395-012-02	0-300mm/0-12"	63x17mm	12pcs

SERIES 391

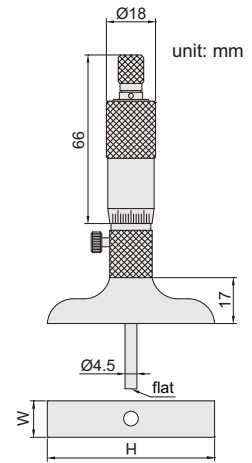
DEPTH MICROMETER

- ◆ Micrometer head accuracy: $\pm 3\mu\text{m}$
- ◆ Rod accuracy: $\pm(2+L/75)\mu\text{m}$,
L is the measuring range in mm
- ◆ Supplied with rods
- ◆ Ratchet stop

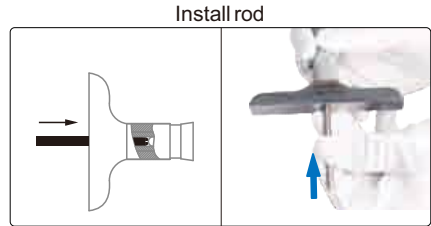
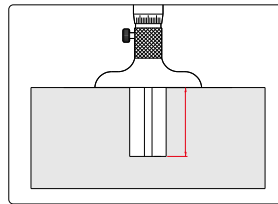
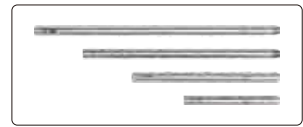
Code	Range	Base (HxW)	Rod
391-001-01	0-25mm	101.5x17mm	1pc
391-002-01	0-50mm	101.5x17mm	2pcs
391-003-01	0-75mm	101.5x17mm	3pcs
391-004-01	0-100mm	101.5x17mm	4pcs
391-006-01	0-150mm	101.5x17mm	6pcs
391-008-01	0-200mm	101.5x17mm	8pcs
391-012-01	0-300mm	101.5x17mm	12pcs
391-001-02	0-25mm	63x17mm	1pc
391-002-02	0-50mm	63x17mm	2pcs
391-003-02	0-75mm	63x17mm	3pcs
391-004-02	0-100mm	63x17mm	4pcs
391-006-02	0-150mm	63x17mm	6pcs
391-008-02	0-200mm	63x17mm	8pcs
391-012-02	0-300mm	63x17mm	12pcs



391-001-01



Rod (included)



SERIES 392

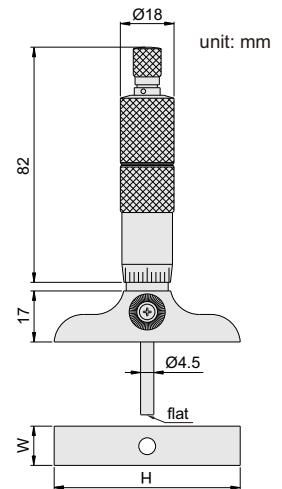
DEPTH MICROMETER

- ◆ Micrometer head accuracy: $\pm 3\mu\text{m}$
- ◆ Rod accuracy: $\pm(2+L/75)\mu\text{m}$,
L is the measuring range in mm
- ◆ Supplied with rods
- ◆ Ratchet stop

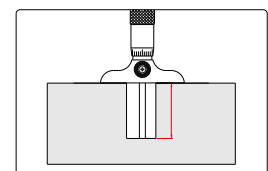
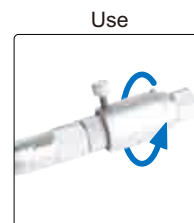
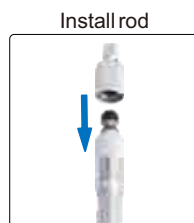
Code	Range	Base (HxW)	Rod
392-001-01	0-25mm	101.5x17mm	1pc
392-002-01	0-50mm	101.5x17mm	2pcs
392-003-01	0-75mm	101.5x17mm	3pcs
392-004-01	0-100mm	101.5x17mm	4pcs
392-006-01	0-150mm	101.5x17mm	6pcs
392-008-01	0-200mm	101.5x17mm	8pcs
392-012-01	0-300mm	101.5x17mm	12pcs
392-001-02	0-25mm	63x17mm	1pc
392-002-02	0-50mm	63x17mm	2pcs
392-003-02	0-75mm	63x17mm	3pcs
392-004-02	0-100mm	63x17mm	4pcs
392-006-02	0-150mm	63x17mm	6pcs
392-008-02	0-200mm	63x17mm	8pcs
392-012-02	0-300mm	63x17mm	12pcs



392-001-01



Rod (included)

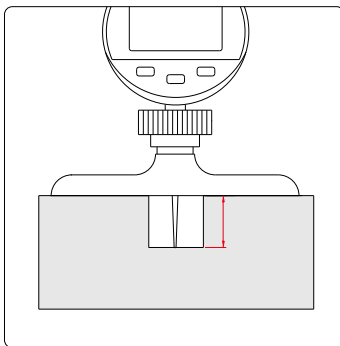
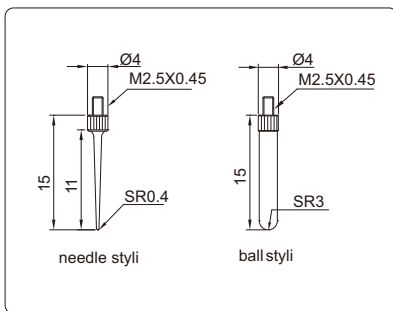




- ◆ Button: tolerance set, data preset, inch/mm conversion, measuring direction set, max./min./range measurement, absolute/incremental measurement
- ◆ Data output (cable code: 200-03 or 200-04)
- ◆ Automatic power off
- ◆ Stainless steel base
- ◆ Supplied with pointed tip and ball tip

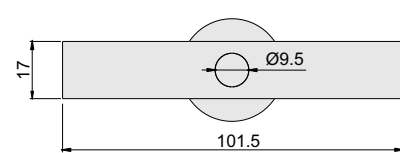
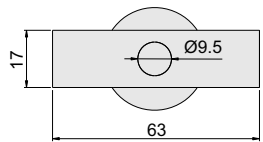
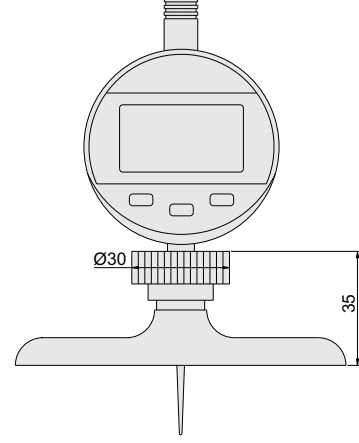
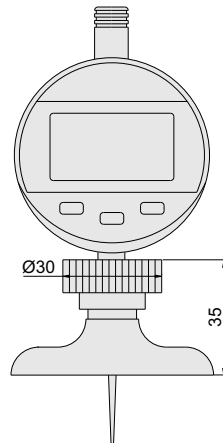


Styli (included)



unit: mm

293-010-12



293-010-01 and 293-010-11

293-010-02 and 293-010-12

Resolution 0.001mm/0.00005"

Code	Range	Accuracy	Digital indicator stroke	Base
293-010-01	0-10mm/0-0.4"	±5µm	12.7mm/0.5"	63x17mm
293-010-02	0-10mm/0-0.4"	±5µm	12.7mm/0.5"	101.5x17mm

Resolution 0.01mm/0.0005"

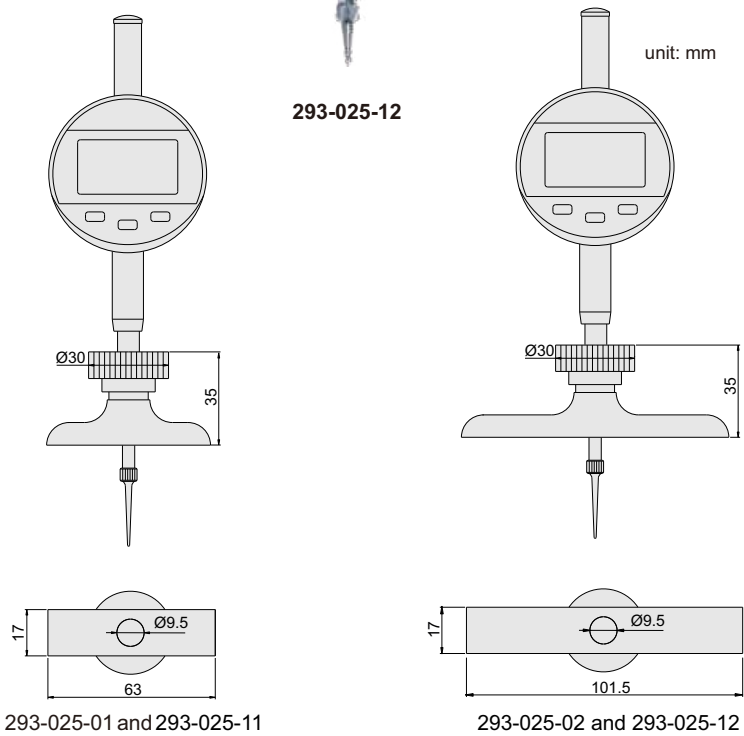
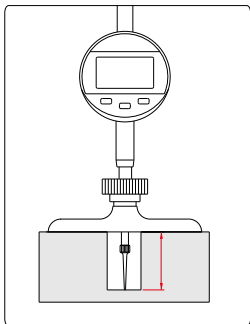
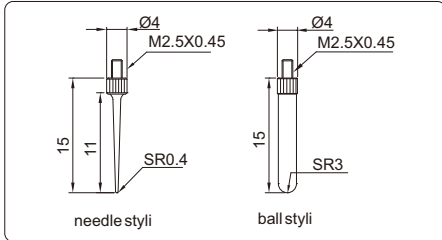
Code	Range	Accuracy	Digital indicator stroke	Base
293-010-11	0-10mm/0-0.4"	±0.03mm	12.7mm/0.5"	63x17mm
293-010-12	0-10mm/0-0.4"	±0.03mm	12.7mm/0.5"	101.5x17mm



- ◆ Button: tolerance set, data preset, inch/mm conversion, measuring direction set, max./min./range measurement, absolute/incremental measurement
- ◆ Data output(cable code:200-03 or 200-04)
- ◆ Automatic power off
- ◆ Stainless steel base
- ◆ Supplied with pointed tip and ball tip



Styli (included)



Resolution 0.001mm/0.00005"

Code	Range	Accuracy	Digital indicator stroke	Base
293-025-01	0-25mm/0-1"	±5µm	25.4mm/1"	63x17mm
293-025-02	0-25mm/0-1"	±5µm	25.4mm/1"	101.5x17mm

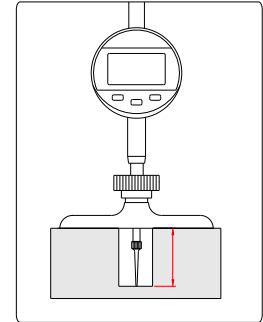
Resolution 0.01mm/0.0005"

Code	Range	Accuracy	Digital indicator stroke	Base
293-025-11	0-25mm/0-1"	±0.03mm	25.4mm/1"	63x17mm
293-025-12	0-25mm/0-1"	±0.03mm	25.4mm/1"	101.5x17mm

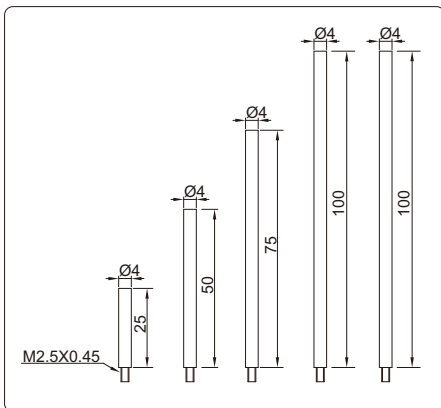


VIDEO

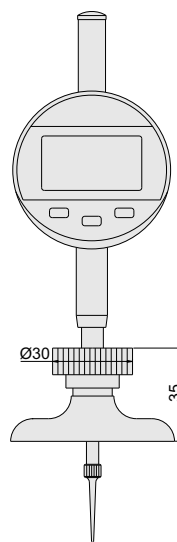
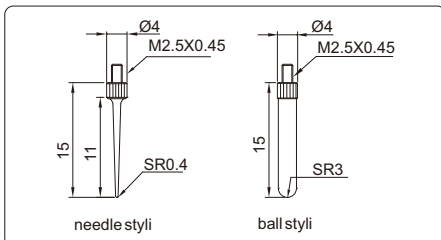
- ◆ Button: tolerance set, data preset, inch/mm conversion, measuring direction set, max./min./range measurement, absolute/incremental measurement
- ◆ Data output(cable code:200-03 or 200-04)
- ◆ Automatic power off
- ◆ Stainless steel base
- ◆ Supplied with pointed tip and ball tip



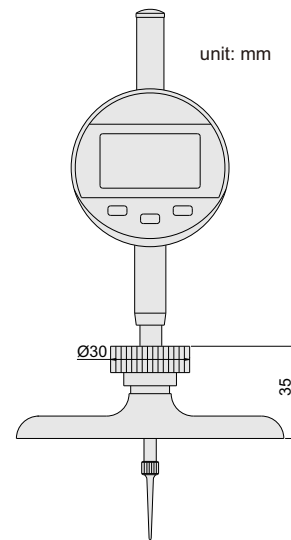
Extension rods (included)



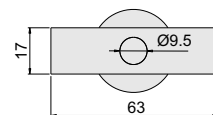
Styli (included)



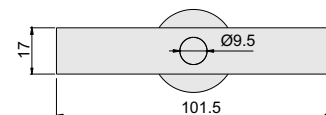
293-300-12



unit: mm



293-300-11 and 293-300-01



293-300-12 and 293-300-02

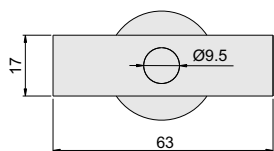
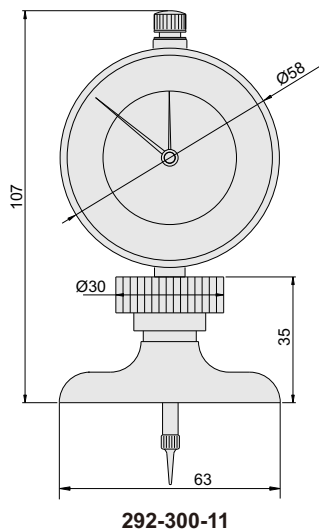
Resolution 0.001mm/0.00005"

Code	Range	Accuracy	Digital indicator stroke	Base
293-300-01	0-300mm/0-12"	±5µm	25.4mm/1"	63x17mm
293-300-02	0-300mm/0-12"	±5µm	25.4mm/1"	101.5x17mm

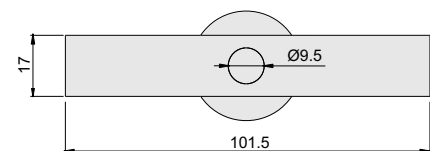
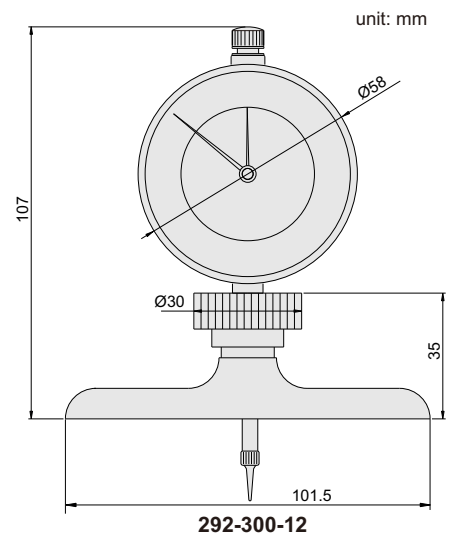
Resolution 0.01mm/0.0005"

Code	Range	Accuracy	Digital indicator stroke	Base
293-300-11	0-300mm/0-12"	±0.03mm	25.4mm/1"	63x17mm
293-300-12	0-300mm/0-12"	±0.03mm	25.4mm/1"	101.5x17mm

- ◆ Graduation: 0.01mm
- ◆ Indicator travel: 30mm
- ◆ Accuracy: $\pm 0.03\text{mm}$
- ◆ Stainless steel base
- ◆ With needle and ball styli
- ◆ Extension rod: 25mm (1pc), 50mm (1pc), 75mm (1pc), 100mm (2pcs)



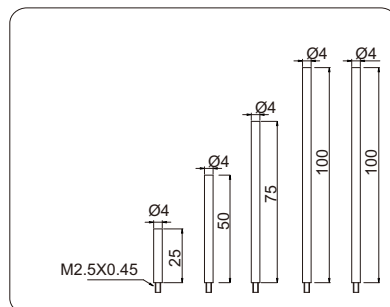
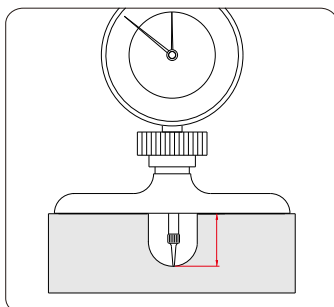
292-300-12



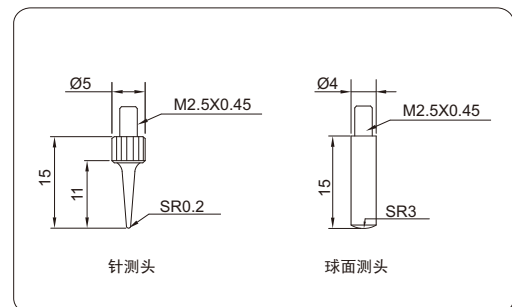
unit: mm

DEPTH

Extension rods



Styli (included)



Code	Range	Base
292-300-11	0-300mm	63x17mm
292-300-12	0-300mm	101.5x17mm

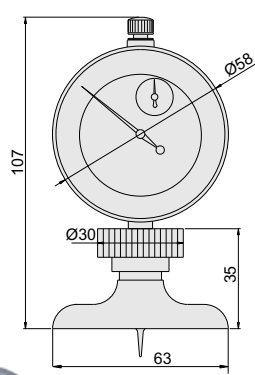
SERIES 291

DIAL DEPTH INDICATOR

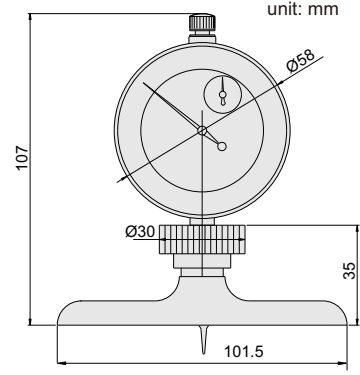
- ◆ Graduation: 0.01mm
- ◆ Indicator travel: 10mm
- ◆ Accuracy: $\pm 0.03\text{mm}$
- ◆ Stainless steel base
- ◆ With needle and ball styli



291-010-12



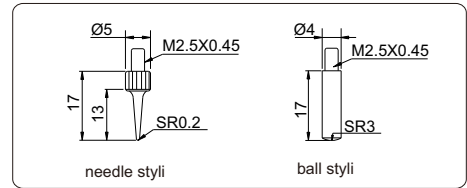
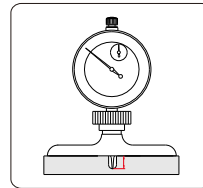
291-010-11



291-010-12

unit: mm

Styli (included)



needle styli

ball styli

Code	Range	Base
291-010-11	0-10mm	63x17mm
291-010-12	0-10mm	101.5x17mm

SERIES 295

DIAL DEPTH INDICATOR

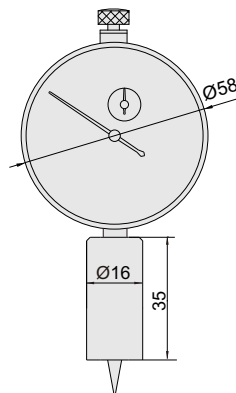
- ◆ Stainless steel base
- ◆ Pointed tip



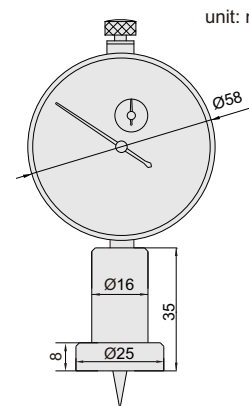
295-010-12



295-010-11

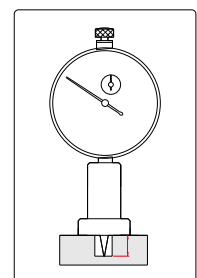


295-010-11



295-010-12

unit: mm



Code	Range	Accuracy	Dial indicator stroke	Dial indicator graduation	Base
295-010-11	0-10mm	17 μm	10mm	0.01mm	Ø16mm
295-010-12	0-10mm	17 μm	10mm	0.01mm	Ø25mm

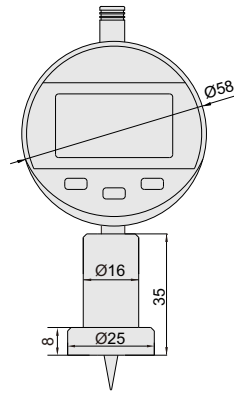
SERIES 299

DIGITAL DEPTH INDICATOR

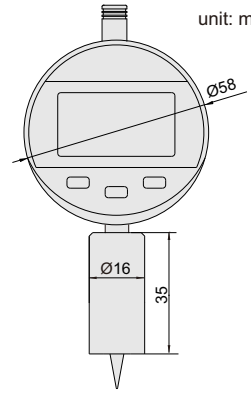


- ◆ Button: on/off, zero, mm/inch, ABS, data preset, change measuring direction
- ◆ Data output(cable code:200-03 or 200-04)
- ◆ Automatic power off
- ◆ Stainless steel base
- ◆ Pointed tip

299-010-02



Type B



Type A

unit: mm

Resolution 0.01mm/0.0005"

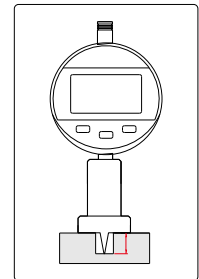
Code	Range	Accuracy	Digital indicator stroke	Base	Type
299-010-11	0-12.7mm/0-0.5"	±20µm	12.7mm/0.5"	Ø16mm	A
299-010-12	0-12.7mm/0-0.5"	±20µm	12.7mm/0.5"	Ø25mm	B

Resolution 0.001mm/0.00005"

Code	Range	Accuracy	Digital indicator stroke	Base	Type
299-010-01	0-12.7mm/0-0.5"	±5µm	12.7mm/0.5"	Ø16mm	A
299-010-02	0-12.7mm/0-0.5"	±5µm	12.7mm/0.5"	Ø25mm	B



299-010-11



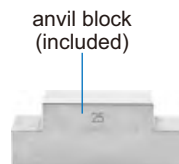
SERIES 399

DEPTH MICROMETER CHECKERS



- ◆ To check depth micrometers and set zero
- ◆ Constructed with steel gage blocks
- ◆ Supplied with anvil block

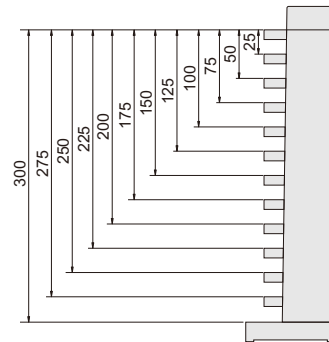
Application



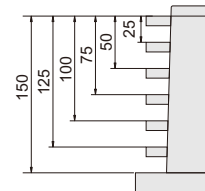
anvil block (included)



399-012-01



399-012-01



399-006-01

unit: mm

Code	Size	Range	Accuracy
399-006-01	0-150mm	25, 50, 75, 100, 125, 150mm	±2µm
399-012-01	0-300mm	25, 50, 75, 100, 125, 150, 175, 200, 225, 250, 275, 300mm	±3µm

With manufacturer inspection certificate